

# Classic Brass

Manufacturer of Fine Solid Brass Decorative Hardware

HUTTER COLLECTION



EDGE OPTION  
OFFSET EDGE AVAILABLE



EDGE OPTION  
OFFSET EDGE AVAILABLE



PROFILE OPTION  
SQUARE CORNER AVAILABLE



EDGE OPTION  
OFFSET EDGE AVAILABLE



PROFILE OPTION  
OVAL PROFILE AVAILABLE

## Interior Oval Knob Set

- 2-1/2" x 4-3/4" Escutcheon
- Custom size escutcheons available
- Offered in 19 standard finishes
- All knobs and escutcheons are interchangeable
- Solid Brass

## Interior Oval Knob Set

### APPLICATIONS

7905 Knob and Escutcheon - Passage Set  
 7913 Knob and Escutcheon - Privacy Set  
 7921 Knob and Escutcheon - Full Dummy

7929 Knob and Escutcheon - Half Dummy  
 7969 Knob Only  
 7982 Escutcheon Only

### AVAILABLE SIZE

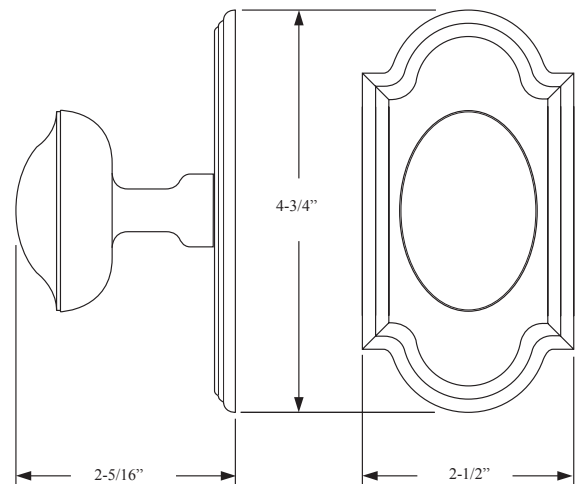
2-1/2" x 4-3/4" Escutcheon

### MATERIAL

Solid Brass

### ORDER INSTRUCTIONS

Specify application  
 Specify finish. If split finish is required, please indicate exterior/interior  
 Specify door thickness. Standard thickness is 1-3/8"  
 Specify backset. Standard backset is 2-3/8"  
 Specify hand of door - RH/LH - if split finish is required  
 Specify if pre-drilled adapters are required (part #9749)



### SET COMPONENTS

#### Knob and Escutcheon - Passage Set

includes two escutcheons (passage), two knobs, passage latch (2-3/8" backset), full lip strike, latch faceplate, 3-1/2" straight spindle (8mm), two rose mount plates, two rose mount plate hubs, dust box, and mounting hardware. **NOTE: if required, order pre-drilled adapter (#9749) separately.**

#### Knob and Escutcheon - Privacy Set

includes two escutcheons (privacy), two knobs, privacy latch (2-3/8" backset), full lip strike, latch faceplate, 3-1/2" swivel spindle (8mm), two rose mount plates, two rose mount plate hubs, privacy pin, dust box, and mounting hardware. **NOTE: if required, order pre-drilled adapter (#9749) separately.**

#### Knob and Escutcheon - Full Dummy

includes two escutcheons, two knobs, 3-1/2" straight spindle (8mm), two dummy rose mount plates, two rose mount plate hubs, and mounting hardware.

#### Knob and Escutcheon - Half Dummy

includes one escutcheon, one knob, dummy mount spindle, rose mount plate hub, and mounting hardware.

### REMEMBER

- Consider utilizing an interior mortise lock for quality installations
- FULL LIP strikes are standard. Specify SUB "T" strike, if required
- All knobs and escutcheons are interchangeable
- Standard backset is 2-3/8." If required specify 2-3/4" backset
- Lever strength latches will be supplied with all large knobs
- Square corner, offset edge, and oval profile available
- Custom size escutcheons available

### Available Finishes



antique brass (AB)



antique nickel (AN)



antique pewter (AP)



oil rubbed bronze (BZ)



kensington (KN)



matte black (MB)



nickel copper (NC)



polished antique (PA)



polished brass (PB)



polished chrome (PC)



polished nickel (PN)



satin nickel (SN)



tarnish (TN)



weathered antq. nickel  
(WA)



weathered brass (WB)



weathered copper (WC)



weathered nickel (WN)



weathered pewter (WP)



weathered bronze (WZ)

*PVD and Custom Finishes Available*